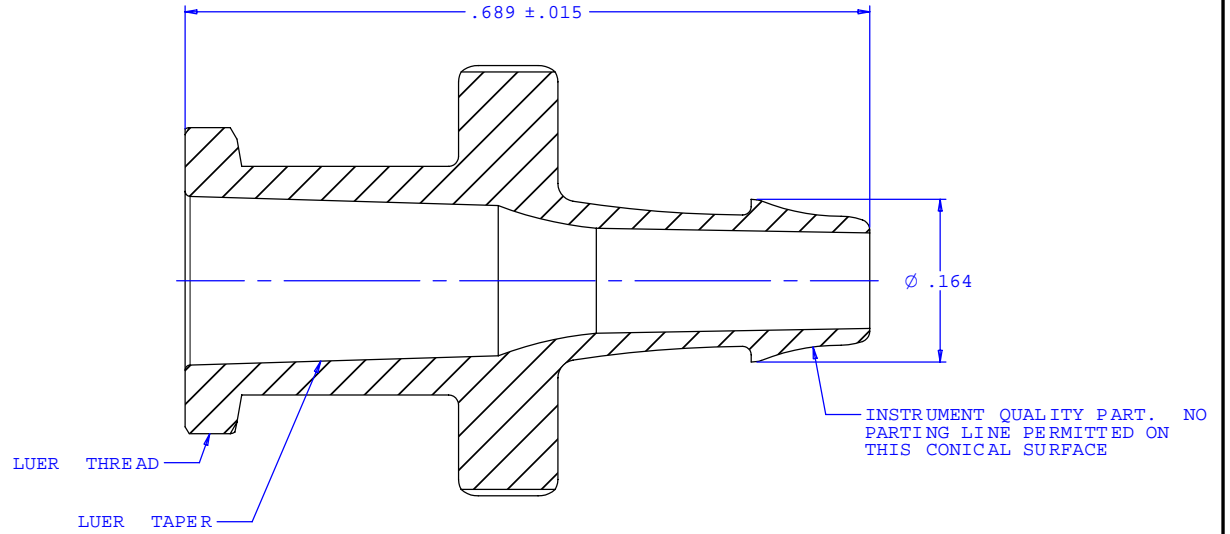
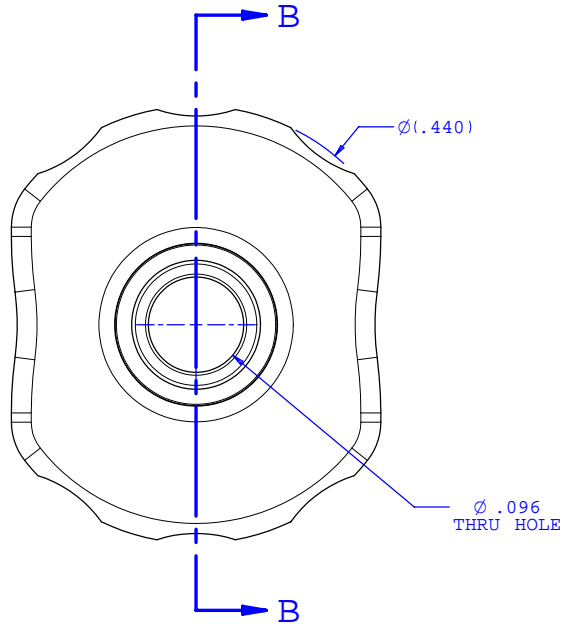
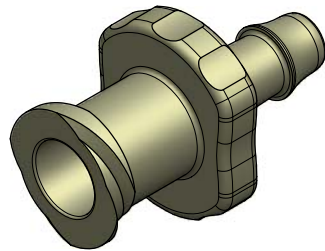


NOTE: FOR MORE DETAILS SEE YOUR V.P. CUSTOMER SERVICE REP.

REVISIONS			
REV.	DESCRIPTION	DATE	APPROVED
A	CO 003	12-26-02	
B	CO 016 Drafting Update	07-11-05	Rick C.



SECTION B-B



UNLESS OTHERWISE SPECIFIED DIMENSIONS ARE IN INCHES TOLERANCES ARE:		<b>VALUE PLASTICS, INC.</b>	
FRACTIONS ±	DECIMALS .XX ±.01 .XXX ±.005 .XXXX ±.001	ANGULAR ±1°	PART NUMBER: <b>FTLLSB013</b>
DO NOT SCALE DRAWING		DESCRIPTION: Female Luer Thread Style Smooth Bore to 500 Series Barb, 1/8" (3 mm) ID Tubing	
DRAWN BY: <b>Frank Lombardi</b>	DATE: <b>05-10-05</b>	SIZE: <b>B</b>	SCALE: <b>NTS</b>
Engineer/Manager: <b>Rick Cairns</b>		DRAWING NUMBER: <b>1006663</b>	REV. <b>B</b>
		© 2005 VALUE PLASTICS, INC.	SHEET: 1 OF 1

**FOR REFERENCE ONLY**